

# TX1/2-5000HP

The TX1/2-5000HP(L) or TXCH-1/2(L), Atomizer/Coupon Holder can be utilized for high pressure applications with a maximum of 5000 PSI at the insertion point with a burst pressure at 7500 PSI. TXAM's atomizer/coupon holder is available in multiple insertion lengths for various pipe sizes.

The Multi-functional tool can be easily added to any application that requires atomization or a coupon and has an available 1/2" FNPT to receive the 1/2" MNPT standard for the atomizer.

## Specifications

### Pump Application

#### Fluid Head

- Utilized with Single Injection Point
- 316 SS Body (Cleanable Tip)
- Various Injection Ranges (Per Tip)
- 5000 PSI Pressure Gauge

#### Body

- 316 SS
- Max Operating Pressure: 5000 PSI
- Burst Pressure: 7500 PSI

#### Connections

- Fluid Inlet: 1/4" FNPT
- Insertion End: 1/2" Male NPT
- Insertion Lock: 1/2" Tube Nut

#### Bleeder Valve

- 316 SS, located on Insertion End (Stuffing Box)

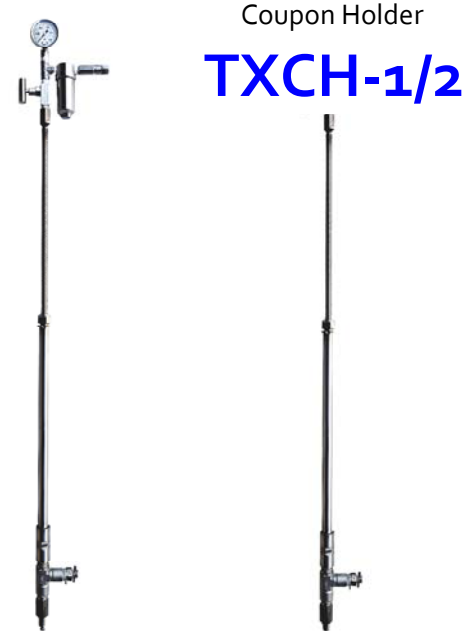
#### Dimensions

- Total Length: 43.25"
- Optional Travel: Standard = 16", (L) = 36"

### Power

#### Control Options

- Crank Down
- Safety Lock Nut
- Optional Travel
- Total Length



**LOW Maintenance**  
**NO Special Tool Required**  
**NO Tubing Adjustments**

**Max Pressure: 5000 PSI/345 Bar**

## Fluid Atomization

\* 316 Stainless Steel Assembly

\* Multiple Insertion Lengths

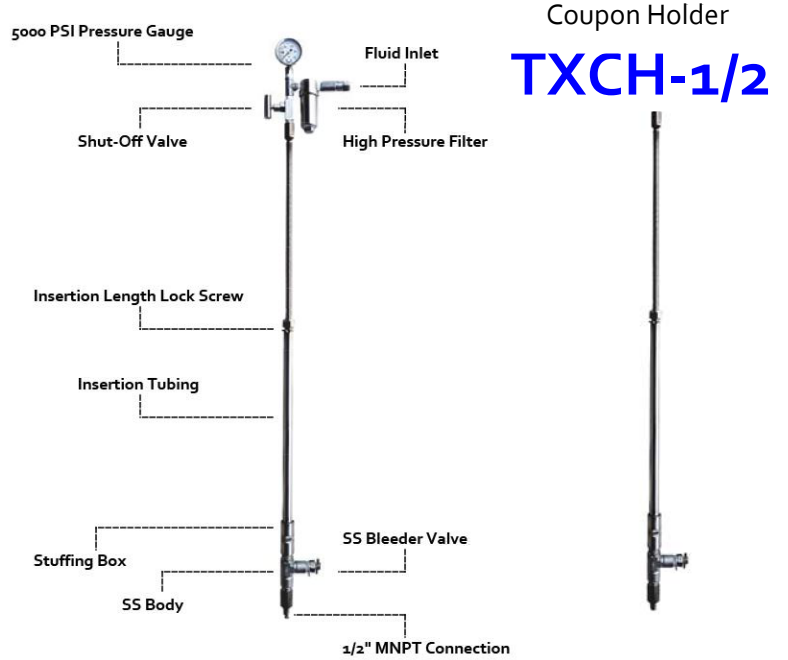
\* Relieves Trapped Air With Bleeder Valve

\* Various Atomizer Tips Per Application

\* 0.006 Tip @ 14 GPD  
0.008 Tip @ 23 GPD  
0.012 Tip @ 36 GPD  
0.016 Tip @ 51 GPD  
0.020 Tip @ 64 GPD

\* Completely Removable/Cleanable Atomizer Tips

# TX<sub>1/2</sub>-5000HP



## Dimensions

