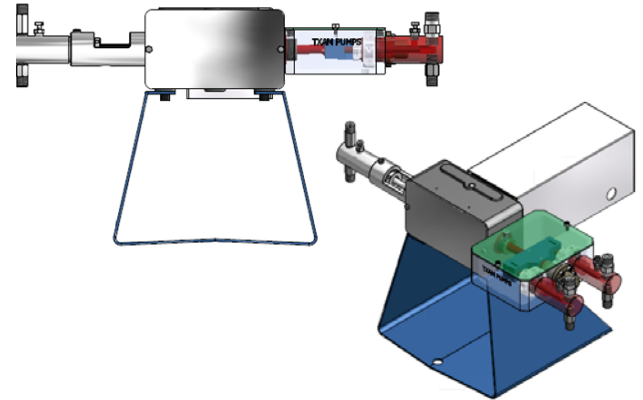


QUAD HEAD

The Quad Head Pump Assembly is an available addition to all HBT model pumps and offers single, double, triple or quad heads for injecting higher volumes or up to 4 separate chemicals at 4 separate injection rates. An assortment of plunger sizes and built-in stroke length adjustments when combined with TXAM's pump controller and options such as our **FCV5000** will allow you to precisely control your injection rates.

The Quad heads isolate chemicals away from the pump housing and motor. Standard stainless steel wetted parts are used to ensure long lasting dependability.

See TXAM's Pump Controller & FCV5000 data sheets for more detail.



Specifications

Pump

Fluid Head

- Single, Double, Triple, Quad
- Stainless Steel (Standard) or other material

Plunger

- See Back (Page 2) For Details
- 17-4 PH, optional ceramic coating
- Position adjustable displacement

Motor

- 150 in-lb, 250 in-lb Torque

Connections

- HBT Housing Bushing

Bleeder Valve

- 316SS, located on head

Control

Control Options

- TXAM Controller options
- Pump Motor Driven
- Adjustable Plungers

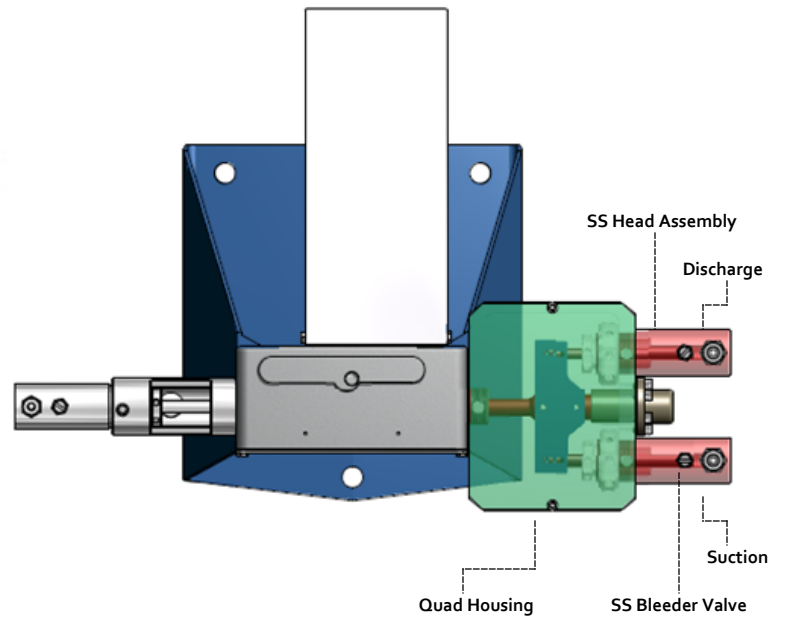
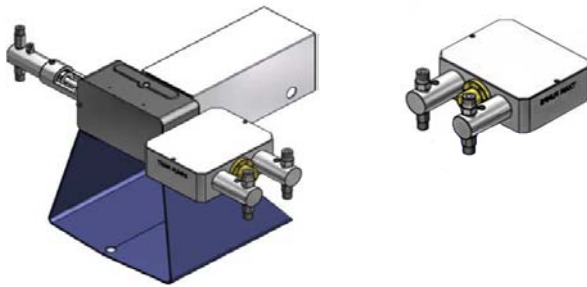
ZERO Gas Emissions
LOW Cost of Ownership
FAST Return On Investment

Max Pressure: 2661 PSI/40 Bar

GPD Based On Head Sizing

- * Up to 4 head configurations
- * Pumps up to 4 chemicals at separate rates
- * Stainless Steel head assembly
- * Steel pump housing
- * Multiple rate control options
- * Plungers have built-in stroke adjustments
- * Adjustable V-Ring packing

QUAD HEAD



Layout View

