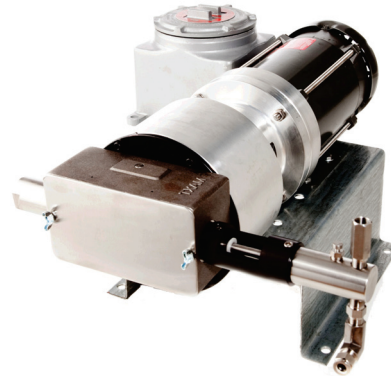


# HBTEXP-AC



The HBTEXP - AC Pump is available in single or double head for injecting higher volumes or two chemicals at separate injection rates. An assortment of plunger sizes and built in stroke length adjustments when combined with TXAM's pump controller and options such as our **FCV5000** will allow you to precisely control your injection rates.

The HBTEXP AC Series isolates chemicals away from the pump housing and motor. Standard stainless steel wetted parts are used to ensure long lasting dependability.

The HBTEXP Series are certified as Class 1, Division 2 or hazardous locations. The TXAM Smart Controller also carries the Class 1, Division 2 certification.

See TXAM's Pump Controller and FCV5000 data sheets for more detail.

## Specifications

### Pump

#### Fluid Head

- Single or Double
- Stainless Steel (Standard) or other material

#### Plunger

- 3/16", 1/4", 3/8", 1/2", 1"
- 17-4 PH, optional ceramic coating
- 3-Position adjustable displacement

#### Gear Motor

- 115VAC, 2 AMP, 1/4 HP, 60 RPM
- Available Gear Reduction: 90, 132 RPM
- Variable Speed Capable
- UL Listed C1, D1 for Hazardous Locations

#### Connections

- 1/4" Female NPT

#### Bleeder Valve

- 316SS, located on head

### Power Option(s)

#### Electric / AC

- 115VAC, 60 HZ, Single-Phase
- 208-230VAC, 50 HZ, Two-Phase

### Pump Control

#### Control Options

- TXAM Controller options
- Plunger stroke length adjustments
- Flow Control Valve (FCV5000)
- 4-20mA, RS-232, RS-485, Modbus

**ZERO Venting of Gas**  
**LOW Cost of Ownership**  
**FAST Return On Investment**

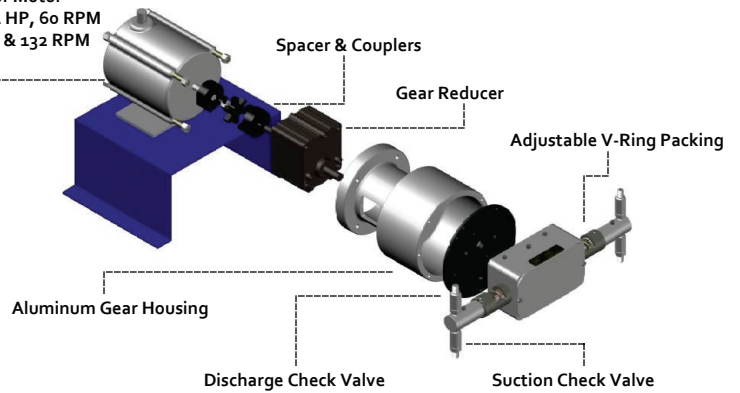
**Max Pressure: 6000 PSI/400 Bar**

**0 GPD to 200 GPD**

- \* Single or Double head configuration
- \* Pump two chemicals at two separate rates with a single pump
  - \* Stainless Steel head assembly
  - \* Stainless Steel pump housing
- \* Multiple rate control operations within one pump controller
  - \* Plunger stroke adjustment
  - \* Adjustable V-Ring packing

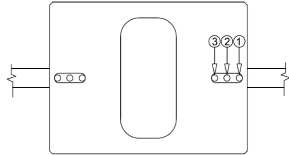
# HBTEXP-AC

Explosion Proof Motor  
115VAC, 2 AMP, 1/4 HP, 60 RPM  
Available: 90 RPM & 132 RPM



## PIN PLACEMENT

Pin Positions	Stroke Lengths
1	1.123
2	0.872
3	0.622



HBT Pump Specifications															
Plunger Size	3/16" (0.1875)			1/4" (.25)			3/8" (0.375)			1/2" (0.50)			1" (1.00)		
Pin Position	1	2	3	1	2	3	1	2	3	1	2	3	1	2	3
Plunger Cross Section Area (in <sup>2</sup> )	0.0276			0.0491			0.1104			0.1963			0.7854		
Stroke Lengths @ Different Pin Positions	1.1230	0.8720	0.6220	1.1230	0.8720	0.6220	1.1230	0.8720	0.6220	1.1230	0.8720	0.6220	1.1230	0.8720	0.6220
Displacement Per Stroke (Cubic Inches)	0.0310	0.0241	0.0172	0.0551	0.0428	0.0305	0.1240	0.0963	0.0687	0.2204	0.1712	0.1221	0.8820	0.6849	0.4885
Displacement Per Stroke (Fluid Ounces)	0.0172	0.0133	0.0095	0.0305	0.0237	0.0169	0.0687	0.0534	0.0381	0.1222	0.0948	0.0677	0.4887	0.3795	0.2707

## Dimensions

