

# ECP<sub>4</sub>

The ECP<sub>4</sub> Pneumatic pump is available in single head. An assortment of plunger sizes with built in stroke adjustments and a pneumatic actuator are utilized to precisely control your injection rates. The ECP Series pumps are not effected by fluctuations in supply air/gas. The pumps unique design enables the system to be run on wet gas without failure or changing injection rates. The actuator can be used to maintain consistent injection either manually or via 4-20mA control.

The stoke speed adjustments can be easily made by turning the built-in adjustment screw. Recommended supply pressures range from 50 - 150 PSI, results from shop testing has shown that 80 PSI supply is optimal. The discharge pressures range from 1,500 - 7,000 PSI and are based on chosen plunger size.



## Specifications

### Pump

#### Fluid Head

- Single
- Stainless Steel (Standard) or other material

#### Plunger

- 1/4", 3/8", 1/2"
- 17-4 PH, optional ceramic coating

#### Motor

- Optimal Supply Pressure: 80 PSI
- Supply Pressure Range: 50-150 PSI
- SPM: 2-60

#### Connections

- 1/4" Female NPT

#### Bleeder Valve

- 316SS, located on head

### Power Option(s)

#### Pneumatic / Air / Gas

- Supplied/Compressed Air
- Natural / Raw / Wet Gas

#### Solar

- 10 Watt, 12VDC

#### Battery

- 12VDC

### Pump Control

#### Control Options

- Adjustment Screw
- Pneumatic Solenoid
- TXAM Pump Controller
- 4-20mA (Automated Injection Rate Change)

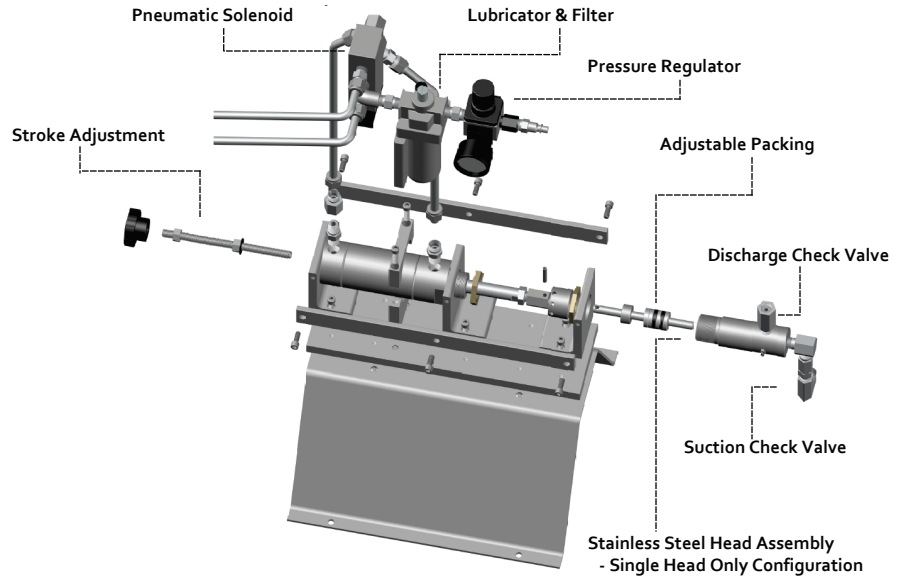
**LOW Gas Emissions**  
**LOW Cost of Ownership**  
**FAST Return On Investment**

**Max Pressure: 2000 PSI/140 Bar**

**0 GPD to 160 GPD**

- \* Single head configuration
- \* Pumps one chemical at a single rate
- \* Stainless Steel head assembly
- \* Stainless Steel pump housing
- \* Multiple rate control via actuator & plunger stroke adjustment
- \* Adjustable V-Ring packing

# ECP4



## Dimensions

