

**TXAMPumps**

# HBT-BP

The HBT-BP is a counterbalanced “beam pump” for use with the walking beam of a wellhead pump. It is intended for low pressure and rate chemical injection applications. It works great as a reliable, low maintenance stuffing box lubricator.

The HBT-BP pump is available in single and double head configurations with a variety of plunger sizes. Stainless steel wetted parts are used to ensure long lasting dependability. TXAM also offers a variety of materials, coatings and packing types for the fluid head assembly to meet your chemical compatibility needs.

*Please contact your local TXAM sales representative for more details.*

**Max Pressure: 1000 PSI/70 Bar 0 GPD to 100 GPD**

- Various head configurations
- Stainless Steel pump housing
- Stainless Steel head assembly
- Alternative head/plunger materials
- Plunger has built-in stroke adjustment
- Adjustable V-Ring packing

<b>ZERO</b>	Gas Emissions
<b>LOW</b>	Cost of Ownership
<b>FAST</b>	Return On Investment

## SPECIFICATIONS:

### PUMP

Single or Double Head
Stainless Steel or Other Materials
1/4" FNPT Connections
3/16", 1/4", 3/8", 1/2"
Various Plunger Materials & Coatings
3 Position Adjustable Displacement
Bleeder Valve

### MOTOR

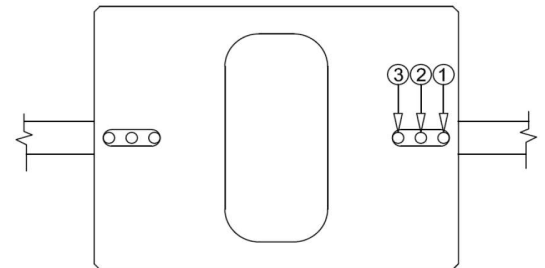
Pump Jack Speed
Swing Arm Length
Counter Weight

### TXAM CONTROLS

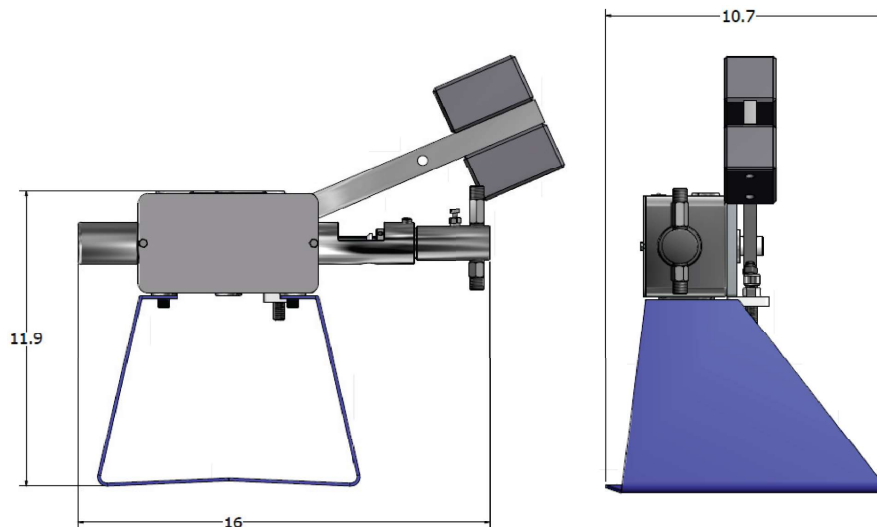
Plunger Stroke Length Adjustments
Adjustable Counter Weight

### PIN PLACEMENT

Pin Positions	Stroke Lengths
1	1.123
2	0.872
3	0.622



HBT Pump Specifications		3/16" (0.1875)			1/4" (.25)			3/8" (0.375)			1/2" (0.50)			1" (1.00)		
Plunger Size		3/16" (0.1875)			1/4" (.25)			3/8" (0.375)			1/2" (0.50)			1" (1.00)		
Pin Position		1	2	3	1	2	3	1	2	3	1	2	3	1	2	3
Plunger Cross Section Area (in <sup>2</sup> )		0.027G			0.0491			0.1104			0.19G3			0.7854		
Stroke Lengths @ Different Pin Positions		1.1230	0.8720	0.6220	1.1230	0.8720	0.6220	1.1230	0.8720	0.6220	1.1230	0.8720	0.6220	1.1230	0.8720	0.6220
Displacement Per Stroke (Cubic Inches)		0.0310	0.0241	0.0172	0.0551	0.0428	0.0305	0.1240	0.0963	0.0687	0.2204	0.1712	0.1221	0.8820	0.6849	0.4885
Displacement Per Stroke (Fluid Ounces)		0.0172	0.0133	0.0095	0.0305	0.0237	0.0169	0.0687	0.0534	0.0381	0.1222	0.0948	0.0677	0.4887	0.3795	0.2707



TXAM Pumps presents this information in good faith and believes it to be accurate but does not guarantee results based upon such information. TXAM Pumps reserves the right to change the design or specification of these products at any time without notice.