



# HBT2

The HBT2 chemical injection pump is the flagship in our HBT Series. It can achieve volumes and pressures to meet most chemical application needs, and is the most popular within the series.

The HBT Series is available in a variety of head configurations, plunger sizes, and is compatible with all TXAM pump controllers. Stainless steel wetted parts are used to ensure long lasting dependability. TXAM also offers a variety of materials & packing types to meet your chemical compatibility needs.

*Please contact your local TXAM sales representative for more details.*

## Max Pressure: 6000 PSI/400 Bar 200 GPD to 750 GPD

- Various head configuration
- Stainless Steel pump housing
- Stainless Steel head assembly
- Alternative head/plunger materials
- Plunger has built-in stroke adjustment
- Adjustable V-ring packing

**ZERO**

Gas Emissions

**LOW**

Cost of Ownership

**FAST**

Return On Investment

# SPECIFICATIONS:

## PUMP

Single or Double Head*
Stainless Steel or Other Material
1/4" FNPT Connections
3/16", 1/4", 3/8", 1/2"*
Various Plunger Materials & Coatings
3-Position Adjustable Displacement
Bleeder Valve

\*More head configurations available

## MOTOR

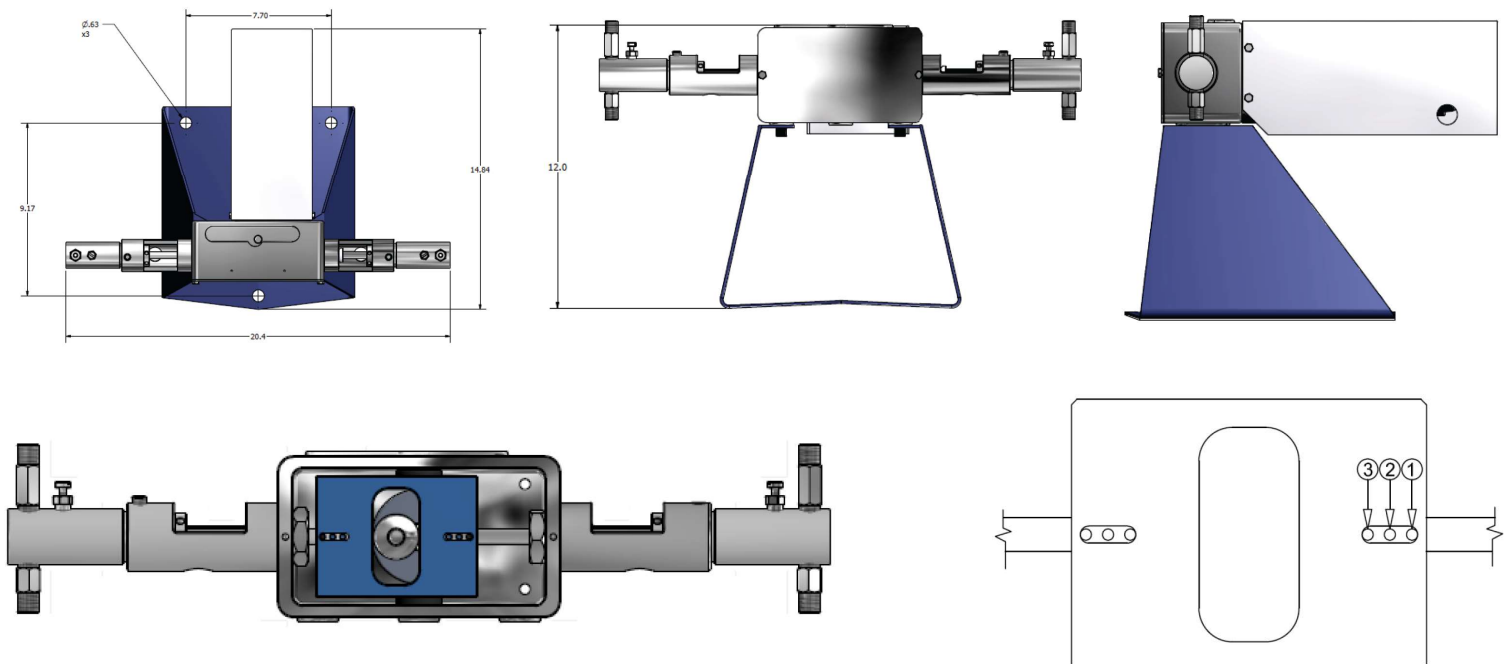
12v DC
1 PH
20 Amps
1/5 HP
64 RPM or 66 RPM
150 Lb-in Torque
Ratio: 43:9:1

## TXAM CONTROLS

SPC1000
UPC
TSP600N

More control options available

Plunger Size	3/16" (0.1875)			1/4" (.25)			3/8" (0.375)			1/2" (0.50)		
	Pin Position	1	2	3	1	2	3	1	2	3	1	2
Plunger Cross Section Area (in <sup>2</sup> )	0.0276			0.0491			0.1104			0.1963		
Stroke Lengths @ Different Positions	1.123	0.872	0.622	1.123	0.872	0.622	1.123	0.872	0.622	1.123	0.872	0.622
Displacement Per Stroke (Cubic Inches)	0.031	0.0241	0.0172	0.0551	0.0428	0.0305	0.124	0.0963	0.0687	0.2204	0.1712	0.1221
Displacement Per Stroke (Fluid Ounces)	0.0172	0.0133	0.0095	0.0305	0.0237	0.0169	0.0687	0.0534	0.0381	0.1222	0.0948	0.0677



TXAM Pumps presents this information in good faith and believes it to be accurate but does not guarantee results based upon such information. TXAM Pumps reserves the right to change the design or specification of these products at any time without notice.