

TXAMPumps

HBT1

The HBT1 chemical injection pump is the entry level pump in our HBT Series. It is the lowest volume and pressure pump in the series and is also the most economical.

The HBT Series is available in a variety of head configurations, plunger sizes, and is compatible with all TXAM pump controllers. Stainless steel wetted parts are used to ensure long lasting dependability. TXAM also offers a variety of materials & packing types to meet your chemical compatibility needs.

Please contact your local TXAM sales representative for more details.

Max Pressure: 2000 PSI/140 Bar 0 GPD to 100 GPD

- Various head configurations
- Stainless Steel pump housing
- Stainless Steel head assembly
- Alternative head/plunger materials
- Plunger has built-in stroke adjustment
- Adjustable V-Ring packing

ZERO	Gas Emissions
LOW	Cost of Ownership
FAST	Return On Investment

TXAM Pumps presents this information in good faith and believes it to be accurate but does not guarantee results based upon such information.

TXAM Pumps reserves the right to change the design or specification of these products at any time without notice.

Copyright (c) 2021 TXAM Pumps All Rights Reserved

SPECIFICATIONS:

PUMP

Single or Double Head*
Stainless Steel or Other Material
1/4" FNPT Connections
3/16", 1/4", 3/8", 1/2"
Various Plunger Materials & Coatings
3-Position Adjustable Displacement
Bleeder Valve

*More head configurations available

MOTOR

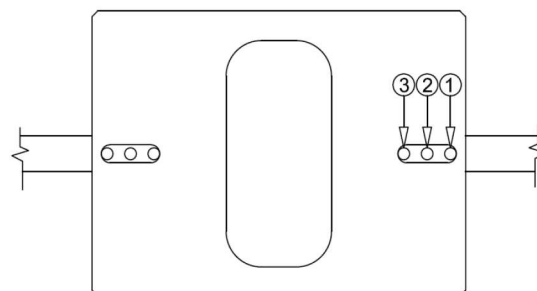
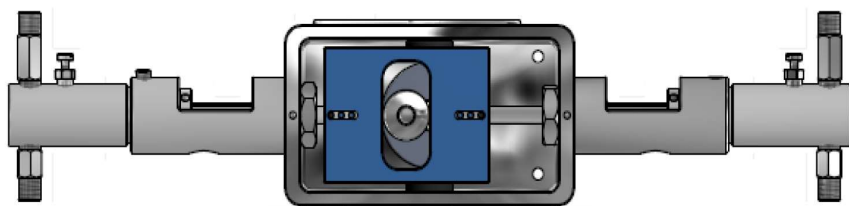
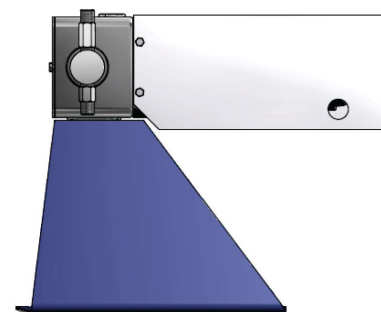
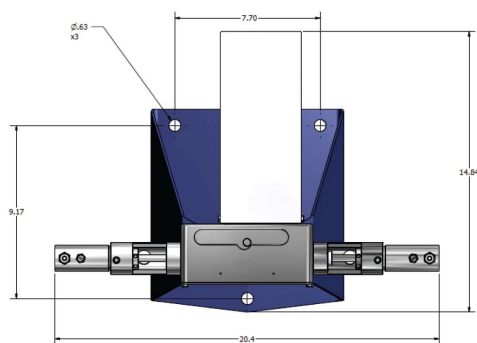
12v DC
1 PH
6.3 AMPS
1/17 HP
35 RPM
78 Lb-in Torque
Ratio: 60:1

TXAM CONTROLS

SPC 1000
UPC
TSP600N

More control options available

Plunger Size	3/16" (0.1875)			1/4" (.25)			3/8" (0.375)			1/2" (0.50)		
	1	2	3	1	2	3	1	2	3	1	2	3
Pin Position												
Plunger Cross Section Area (in ²)	0.0276			0.0491			0.1104			0.1963		
Stroke Lengths @ Different Positions	1.123	0.872	0.622	1.123	0.872	0.622	1.123	0.872	0.622	1.123	0.872	0.622
Displacement Per Stroke (Cubic Inches)	0.031	0.0241	0.0172	0.0551	0.0428	0.0305	0.124	0.0963	0.0687	0.2204	0.1712	0.1221
Displacement Per Stroke (Fluid Ounces)	0.0172	0.0133	0.0095	0.0305	0.0237	0.0169	0.0687	0.0534	0.0381	0.1222	0.0948	0.0677



TXAM Pumps presents this information in good faith and believes it to be accurate but does not guarantee results based upon such information. TXAM Pumps reserves the right to change the design or specification of these products at any time without notice.