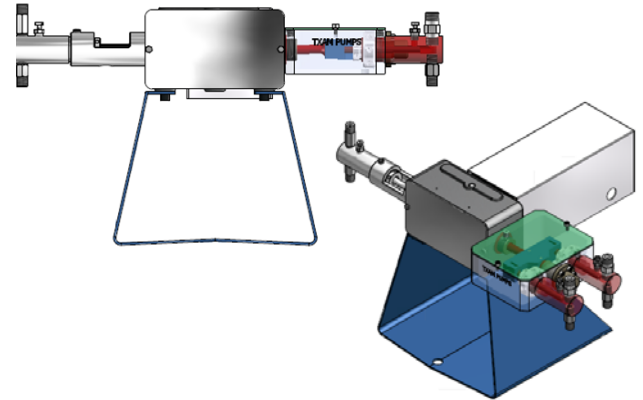


# QUAD HEAD

The Quad Head Pump Assembly is an available addition to all HBT model pumps and offers single, double, triple or quad heads for injecting higher volumes or up to 4 separate chemicals at 4 separate injection rates. An assortment of plunger sizes and built-in stroke length adjustments when combined with TXAM's pump controller and options such as our **FCV5000** will allow you to precisely control your injection rates.

The Quad heads isolate chemicals away from the pump housing and motor. Standard stainless steel wetted parts are used to ensure long lasting dependability.

*See TXAM's Pump Controller & FCV5000 data sheets for more detail.*



## Specifications

### Pump

#### Fluid Head

- Single, Double, Triple, Quad
- Stainless Steel (Standard) or other material

#### Plunger

- See Back (Page 2) For Details
- 17-4 PH, optional ceramic coating
- Position adjustable displacement

#### Motor

- 150 in-lb, 250 in-lb Torque

#### Connections

- HBT Housing Bushing

#### Bleeder Valve

- 316SS, located on head

### Control

#### Control Options

- TXAM Controller options
- Pump Motor Driven
- Adjustable Plungers

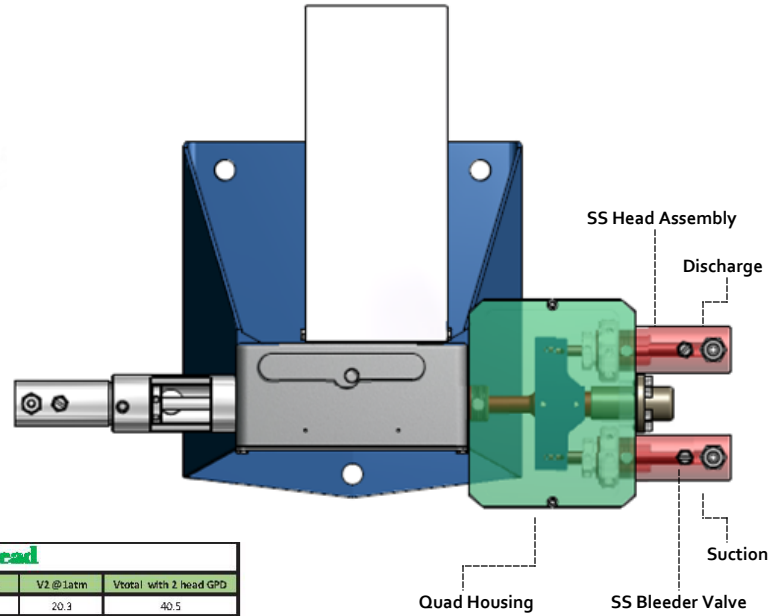
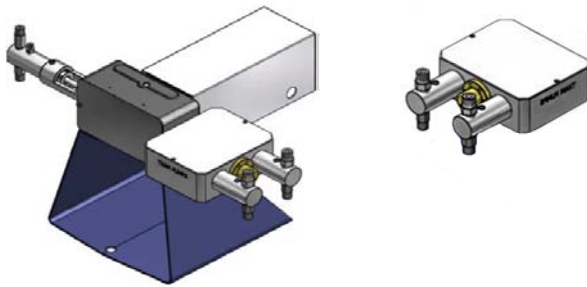
**ZERO Gas Emissions**  
**LOW Cost of Ownership**  
**FAST Return On Investment**

**Max Pressure: 2661 PSI/40 Bar**

**GPD Based On Head Sizing**

- \* Up to 4 head configurations
- \* Pumps up to 4 chemicals at separate rates
- \* Stainless Steel head assembly
- \* Steel pump housing
- \* Multiple rate control options
- \* Plungers have built-in stroke adjustments
- \* Adjustable V-Ring packing

# QUAD HEAD



1st Head					2nd Head						
Plunger size	A (in <sup>2</sup> /in)	V p.s	T motor (lbft <sup>2</sup> /in)	Discharge V at 1 atm (GPD)	P1 (psi)	Pt (lbft)	Plunger size	P2 (psi)	V2 @1atm	Vtotal with 2 head GPD	
0.250	0.049	0.055	150	20.3	2500	253.3	0.250	2661	20.3	40.5	
0.250	0.049	0.055	150	20.3	2500	253.3	0.375	1183	45.6	65.9	
0.250	0.049	0.055	150	20.3	2500	253.3	0.500	665	81.1	101.3	
0.375	0.110	0.124	150	45.6	1150	253.3	0.250	2573	20.3	65.9	
0.375	0.110	0.124	150	45.6	1150	253.3	0.375	1144	45.6	91.2	
0.375	0.110	0.124	150	45.6	1150	253.3	0.500	643	81.1	126.7	
0.500	0.196	0.220	150	81.1	650	253.3	0.250	2561	20.3	101.3	
0.500	0.196	0.220	150	81.1	650	253.3	0.375	1138	45.6	126.7	
0.500	0.196	0.220	150	81.1	650	253.3	0.500	640	81.1	162.1	

## Layout View

