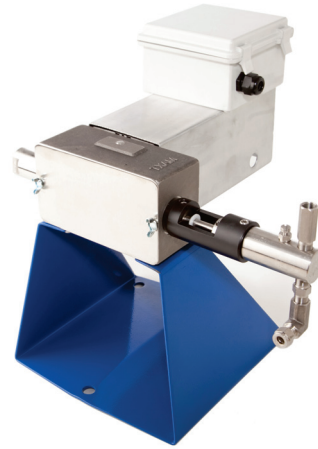


HBT₂ - AC

The HBT₂ - AC offers single or double heads for injecting higher volumes or two chemicals at separate injection rates. An assortment of plunger sizes and built-in stroke length adjustments when combined with TXAM's pump controller and options such as our **FCV5000** will allow you to precisely control your injection rates.

For variable speed control of our AC pump without loss of torque and without adding a costly potential failure point such as a variable frequency drive. TXAM offers our DC motor with an AC inverter. This allows for complete scaling of motor speed with the 115VAC power.

See TXAM's Pump Controller and FCV5000 data sheets for more detail.



Specifications

Pump

Fluid Head

- Single or Double
- Stainless Steel (Standard) or other material

Plunger

- 3/16", 1/4", 3/8", 1/2"
- 17-4 PH, optional ceramic coating
- 3 Position adjustable displacement

Motor

- 115VAC, 1/5 HP, 60 HZ, 2 AMP, 60 RPM
- 12VDC, .22 HP, 66 RPM with AC Inverter (AC Variable Speed)

Connections

- 1/4" Female NPT

Bleeder Valve

- 316SS, located on head

Power Option(s)

Electric / AC

- 115VAC

Solar / DC

- 12VDC Inverted to 115VAC (AC / DC Switchable)

Pump Control

Control Options

- TXAM Controller options
- Plunger stroke length adjustments
- Flow Control Valve (FCV 5000)
- 4-20 mA, RS-232, RS-485, Modbus

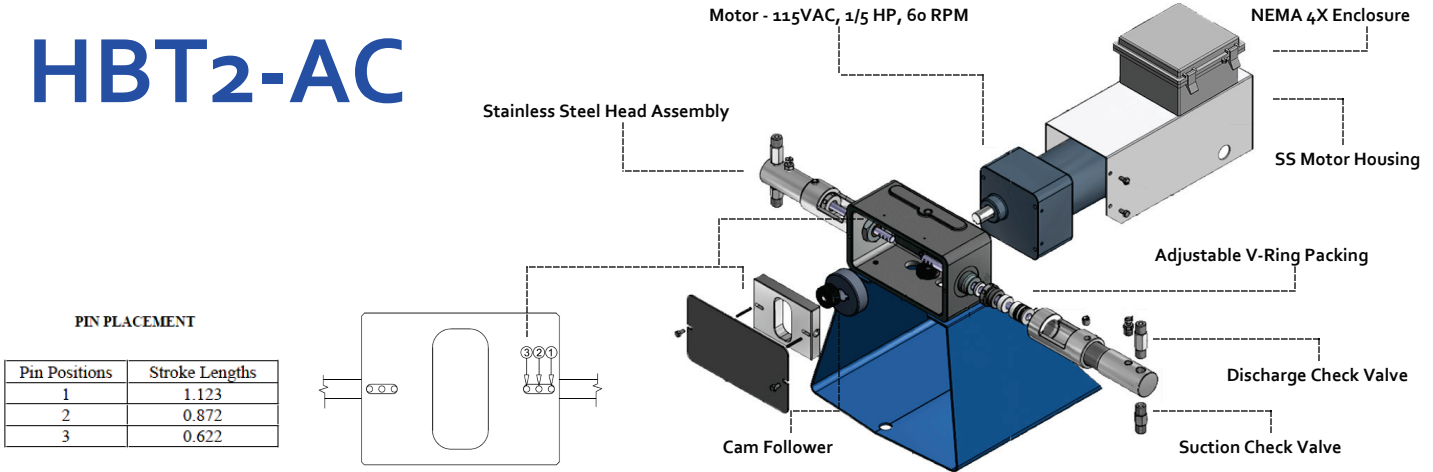
ZERO Gas Emissions
LOW Cost of Ownership
FAST Return On Investment

Max Pressure: 6000 PSI/400 Bar

0 GPD to 200 GPD

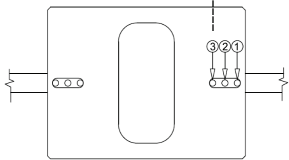
- * Single or double head configuration
- * Pumps multiple chemicals at separate rates
- * Stainless Steel head assembly
- * Stainless Steel pump housing
- * Multiple rate control options
- * Plunger has a built-in stroke adjustment
- * Adjustable V-Ring packing

HBT₂-AC



PIN PLACEMENT

Pin Positions	Stroke Lengths
1	1.123
2	0.872
3	0.622



HBT Pump Specifications															
Plunger Size	3/16" (0.1875)			1/4" (.25)			3/8" (0.375)			1/2" (0.50)			1" (1.00)		
Pin Position	1	2	3	1	2	3	1	2	3	1	2	3	1	2	3
Plunger Cross Section Area (in ²)	0.0276			0.0491			0.1104			0.1963			0.7854		
Stroke Lengths @ Different Pin Positions	1.1230	0.8720	0.6220	1.1230	0.8720	0.6220	1.1230	0.8720	0.6220	1.1230	0.8720	0.6220	1.1230	0.8720	0.6220
Displacement Per Stroke (Cubic Inches)	0.0310	0.0241	0.0172	0.0551	0.0428	0.0305	0.1240	0.0963	0.0687	0.2204	0.1712	0.1221	0.8820	0.6849	0.4885
Displacement Per Stroke (Fluid Ounces)	0.0172	0.0133	0.0095	0.0305	0.0237	0.0169	0.0687	0.0534	0.0381	0.1222	0.0948	0.0677	0.4887	0.3795	0.2707

Dimensions

