

HBC

The HBC Heat Trace / Circulation Pump is available in AC or DC power options as well as explosion proof. This model is offered in single or double head for injecting higher volumes or two chemicals at separate injection rates. An assortment of plunger sizes and built-in stroke length adjustments when combined with TXAM's pump controller options will allow you to precisely control your injection rates. The HBC Series pump is ideal for any heat trace application and covers more pipe than a standard catalytic heater.

If you are interested in heat trace pumps, ask your local representative about other products available for these applications.



Specifications

Pump

Fluid Head

- Single or Double
- Stainless Steel (Standard) or other material

Plunger

- 1-1/2", 2-1/2"
- 17-4 PH, optional ceramic coating

Motor

- 12VDC, .22 HP, 21 AMP, 66 RPM
- 12VDC, 1/8 HP, 14 AMP, 60 RPM (XP)
- 115VAC, 1/5 HP, 2 AMP, 60 RPM
- 115/230VAC, 1/4 HP, 5/2.6-2.5 AMP, 60 Hz, 60 RPM (XP)

Connections

- 1/4" Female NPT

Bleeder Valve

- 316SS, located on head

Power Option(s)

Solar / DC or Electric / AC

- 12VDC
- 115VAC / 208-230VAC

Solar

- 80, 110, or 130 Watt

Battery

- 6V or 12V (Sized per application)
- AGM or Lead acid (Standard)

Pump Control

Control Options

- TXAM Controller options
- Ambient temperature sensor
- 4-20 mA, RS-232, RS-485, Modbus

ZERO Gas Emissions
LOW Cost of Ownership
FAST Return On Investment

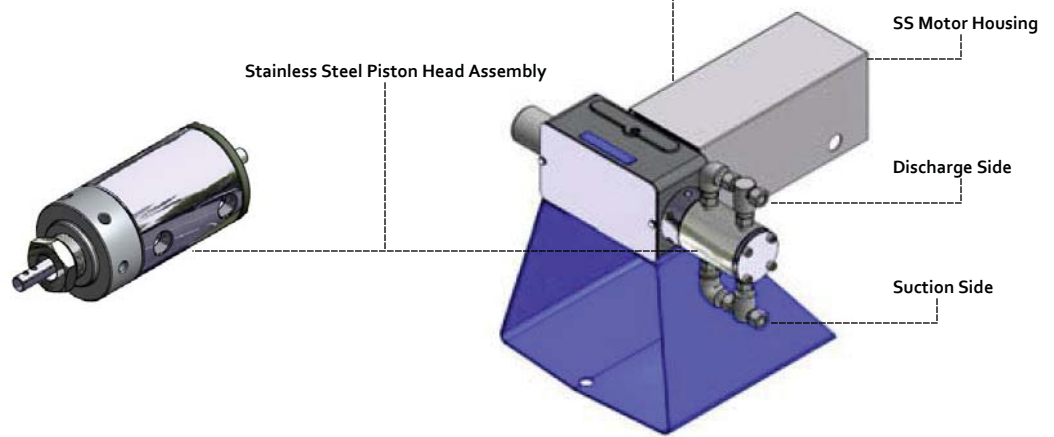
Max Pressure: 150 PSI/10 Bar

0 GPM to 7.5 GPM

- * Single or double head configuration
- * Pumps multiple chemicals at separate rates
 - * Stainless Steel head assembly
 - * Stainless Steel pump housing
 - * Multiple rate control options
- * Plunger has a built-in stroke adjustment
 - * Adjustable V-Ring packing

HBC

Motor(s)
- 12VDC, .22 HP, 66 RPM or - 12VDC, 1/8 HP, 60 RPM (XP)
- 115VAC, 1/5 HP, 60 RPM or - 115VAC, 1/4 HP, 60 RPM (XP)



Piston Size	1.5"	2.0"	2.5"
Max Flow Rate (USG/H)	100	121.2	192
Max Pressure (PSIG)	150	84	54
Seal Material	Spring Loaded Seal	V-Packing	V-Packing
Minimum Tubing Size	0.50"	0.75"	0.75"

