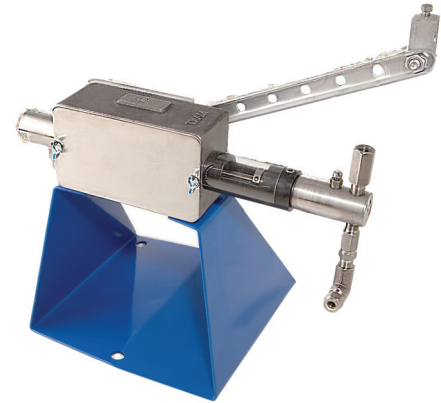


HBP

The HBP Pump is available in single or double heads for injecting higher volumes or two chemicals at separate injection rates. An assortment of plunger sizes and built-in stroke length adjustments when combined with TXAM's flow control valve **FCV5000** will allow you to precisely control your injection rates. When utilized in combination with the FCV5000, this pump also makes a reliable source for stuffing box lubrication.

NO more oil bath, NO more tedious gears, NO more lengthy maintenance. The HBP Series pump has the same internal make up as the HBT models; the only difference is that there is NO motor.

See TXAM's FCV5000 data sheet for more detail.



Specifications

Pump

Fluid Head

- Single or Double
- Stainless Steel (Standard) or other material

Plunger

- 3/16", 1/4", 3/8", 1/2"
- 17-4 PH, optional ceramic coating
- 3 Position adjustable displacement

Motor

- Pump jack speed
- Swing arm length
- Counter weight size

Connections

- 1/4" Female NPT

Bleeder Valve

- 316SS, located on head

Power Option(s)

Pump Jack / Plunger Lift

- Beam Pump

Pump Control

Control Options

- Pump jack / Plunger Lift speed
- Arm length
- Counter weight size
- Plunger stroke length adjustments
- Flow Control Valve (FCV 5000)

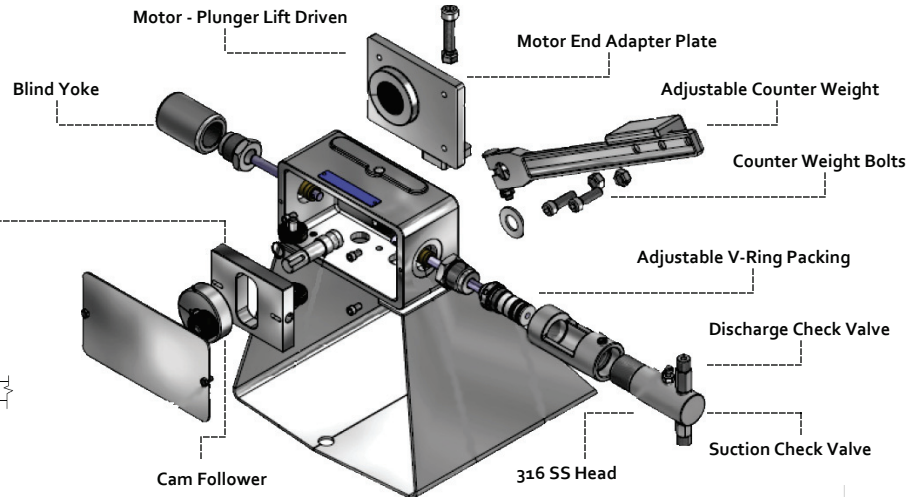
ZERO Gas Emissions
LOW Cost of Ownership
FAST Return On Investment

Max Pressure: 1000 PSI/170 Bar

0 GPD to 100 GPD

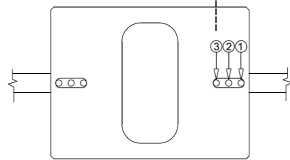
- * Single or double head configuration
- * Pumps multiple chemicals at separate rates
 - * Stainless Steel head assembly
 - * Stainless Steel pump housing
 - * Multiple rate control options
- * Plunger has a built-in stroke adjustment
 - * Adjustable V-Ring packing

HBP



PIN PLACEMENT

Pin Positions	Stroke Lengths
1	1.123
2	0.872
3	0.622



HB Pump Specifications																
Plunger Size	3/16" (0.1875)			1/4" (.25)			3/8" (0.375)			1/2" (0.50)			1" (1.00)			
Pin Position	1	2	3	1	2	3	1	2	3	1	2	3	1	2	3	
Plunger Cross Section Area (in ²)	0.0276			0.0491			0.1104			0.1963			0.7854			
Stroke Lengths @ Different Pin Positions	1.1230	0.8720	0.6220	1.1230	0.8720	0.6220	1.1230	0.8720	0.6220	1.1230	0.8720	0.6220	1.1230	0.8720	0.6220	
Displacement Per Stroke (Cubic Inches)	0.0310	0.0241	0.0172	0.0551	0.0428	0.0305	0.1240	0.0963	0.0687	0.2204	0.1712	0.1221	0.8820	0.6849	0.4885	
Displacement Per Stroke (Fluid Ounces)	0.0172	0.0133	0.0095	0.0305	0.0237	0.0169	0.0687	0.0534	0.0381	0.1222	0.0948	0.0677	0.4887	0.3795	0.2707	

Dimensions

