

FCV5000

The FCV 5000 or Flow Control Valve can be utilized for double or single head applications as well as pneumatic pumps that require extremely low dosing of chemical on one head or both. The various pump controller settings and stroke length adjustments are no longer relevant when this device is added. Set your pump controller to the lowest or highest setting and adjust your rates simply by turning the set screw on the FCV. Your turndown ratio from 1% to 100% is by far unmatched to any pump in the industry.

The FCV can be easily added to any existing pump with one simple adapter. You can now measure your injection in milliliters rather than pints, quarts, or gallons.



Specifications

Pump Application

Fluid Head

- Utilized with Single or Double Head Pumps
- 316 SS Body
- Range: 1% to 100% of Total Injection Capability

Piston

- 316 SS
- Operating Pressure: 50-5000 PSIG
- Available Seals: Viton / Buna / Kalrez

Connections

- 1/8" Female NPT & 1/8" Male NPT
- Head Adapter: 1/8" FNPT x 1/4" MNPT x 1/4" FNPT

Bleeder Valve

- 316 SS, located on valve

Power

Control Options

- Spring Support
- Piston Driven
- Chemical / Pressure
- Cracking Pressure 40 PSI

LOW Maintenance

NO Pump Controller Settings

NO Stroke Length Adjustments

Max Pressure: 5000 PSI/345 Bar

1% - 100% of Total Output

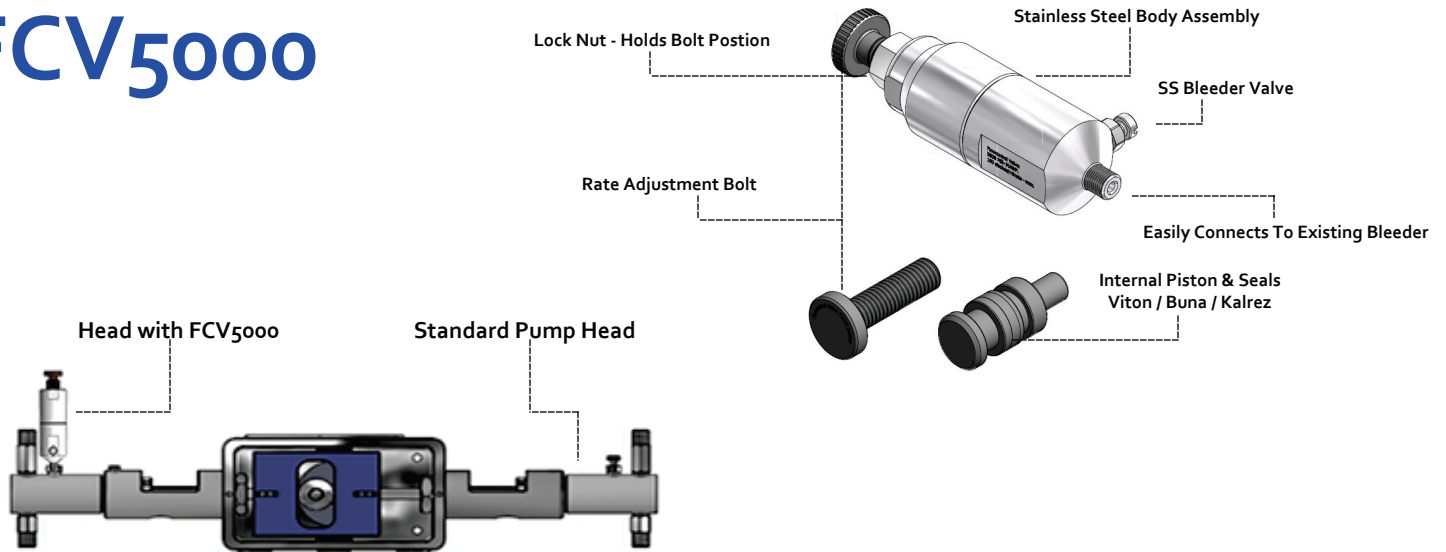
* 316 Stainless Steel Assembly

* Multiple Rate Control

* Relieves Trapped Air Within Pump Head

* Pump Extremely Low Volumes With ANY Head Size

FCV5000



Dimensions

